



## JWL-1221VS WOOD LATHE

Original:

**GB**  
**Operating Instructions**

Translations:

**DE**  
**Gebrauchsanleitung**

**FR**  
**Mode d'emploi**



**Walter Meier (Tool) AG**  
Tämperlistrasse 5  
CH-8117 Fällanden  
Switzerland  
Phone +41 44 806 47 48  
Fax +41 44 806 47 58  
[jetinfo.eu@waltermeier.com](mailto:jetinfo.eu@waltermeier.com)  
[www.jettools.com](http://www.jettools.com)



## **CE-Declaration of Conformity/ CE-Konformitätserklärung/ CE-Déclaration de Conformité**

Product / Produkt / produit: **Wood Lathe / Drechselmaschine / tour à bois**  
Model / Modell / modèle: **JWL-1221VS**  
Stock No. / Artikel Nr. / no. d'article: **719200M**  
Brand / Marke / marque: **JET**  
Manufacturer / Hersteller / producteur: **Walter Meier (Tool) AG, Tämperlistrasse 5, CH-8117 Fällanden, Switzerland**

On our own responsibility we hereby declare that this product complies with the following directives /  
Wir erklären in alleiniger Verantwortlichkeit, dass dieses Produkt mit den folgenden Richtlinien übereinstimmt /  
Par le présent et sous notre responsabilité exclusive, nous déclarons que ce produit satisfait aux lignes directrices:

- \* **2006/42/EC Machinery Directive / Maschinenrichtlinie / directive pour les machines**
- \* **2004/108/EC EMC Directive / EMV Richtlinie / directive compatibilité électromagnétique**
- \* **2002/95/EC RoHS Directive / Gefahrstoffrichtlinie / directive de limitation des substances dangereuses**

and achieves protective goals of / und die Schutzziele erfüllt von / et répondre aux besoins sécurité de :

- \* **2006/95/EC Low Voltage Directive / Niederspannungsrichtlinie / directive basse tension**

Designed in consideration of the standards / bei der Entwicklung berücksichtigte Normen / avec consideration du normes:

- \*\* **EN ISO 12100, EN ISO 13857, EN 349 , EN 953, EN 60204-1, EN ISO 11202, EN 55014-1, EN 55014-2**

Technical file compiled by / Dokumentationsverantwortung / responsable de la documentation technique:

**Hansjörg Brunner, Walter Meier (Tool) AG, Tämperlistrasse 5, CH-8117 Fällanden**



2013-06-20 Eduard Schärer, General Manager / Geschäftsführer / PDG

Walter Meier (Tool) AG, Tämperlistrasse 5, CH-8117 Fällanden, Switzerland

# GB - ENGLISH

## Operating Instructions

Dear Customer,

Many thanks for the confidence you have shown in us with the purchase of your new JET-machine. This manual has been prepared for the owner and operators of a JET **JWL-1221VS wood lathe** to promote safety during installation, operation and maintenance procedures. Please read and understand the information contained in these operating instructions and the accompanying documents. To obtain maximum life and efficiency from your machine, and to use the machine safely, read this manual thoroughly and follow instructions carefully.

### ...Table of Contents

#### 1. Declaration of conformity

#### 2. Warranty

#### 3. Safety

Authorized use  
General safety notes  
Remaining hazards

#### 4. Machine specifications

Machine description  
Technical data  
Noise emission  
Contents of delivery

#### 5. Transport and start up

Transport and installation  
Assembly  
Mains connection  
Dust collection  
Starting operation

#### 6. Machine operation

Correct operating position  
Tool selection  
Speed selection  
Turning between centres  
Bowl turning  
Sanding and Finishing

#### 7. Setup and adjustments

Changing speed range  
Installing work holding  
Adjusting tool rest  
Adjusting tailstock  
Spindle index

#### 8. Maintenance and inspection

Adjusting bed clamping  
Inspecting motor brushes  
Changing belt

#### 9. Trouble shooting

#### 10. Environmental protection

#### 11. Available accessories

### 1. Declaration of conformity

On our own responsibility we hereby declare that this product complies with the regulations\* listed on page 2. Designed in consideration with the standards\*\*.

### 2. Warranty

The Seller guarantees that the supplied product is free from material defects and manufacturing faults. This warranty does not cover any defects which are caused, either directly or indirectly, by incorrect use, carelessness, accidental damage, repair, inadequate maintenance or cleaning and normal wear and tear.

Guarantee and/or warranty claims must be made within twelve months from the date of purchase (date of invoice). Any further claims shall be excluded.

This warranty includes all guarantee obligations of the Seller and replaces all previous declarations and agreements concerning warranties.

The warranty period is valid for eight hours of daily use. If this is exceeded, the warranty period shall be reduced in proportion to the excess use, but to no less than three months.

Returning rejected goods requires the prior express consent of the Seller and is at the Buyer's risk and expense.

Further warranty details can be found in the General Terms and Conditions (GTC). The GTC can be viewed at [www.jettools.com](http://www.jettools.com) or can be sent by post upon request.

The Seller reserves the right to make changes to the product and accessories at any time.

### 3. Safety

#### 3.1 Authorized use

This wood lathe is designed for turning wood only. Machining of other materials is not permitted and may be carried out in specific cases only after consulting with the manufacturer.

The workpiece must allow to safely be loaded and supported.

The proper use also includes compliance with the operating and maintenance instructions given in this manual.

The machine must be operated only by persons familiar with its operation and maintenance and who are familiar with its hazards.

The required minimum age must be observed.

The machine must only be used in a technically perfect condition.

When working on the machine, all safety mechanisms and covers must be mounted.

In addition to the safety requirements contained in these operating instructions and your country's applicable regulations, you should observe the generally recognized technical rules concerning the operation of woodworking machines.

Any other use exceeds authorization.

In the event of unauthorized use of the machine, the manufacturer renounces all liability and the responsibility is transferred exclusively to the operator

### 3.2 General safety notes

Woodworking machines can be dangerous if not used properly. Therefore the appropriate general technical rules as well as the following notes must be observed.

Read and understand the entire instruction manual before attempting assembly or operation.

Keep this operating instruction close by the machine, protected from dirt and humidity, and pass it over to the new owner if you part with the tool.

No changes to the machine may be made.

Daily inspect the function and existence of the safety appliances before you start the machine.

Do not attempt operation in this case, unplug.

Remove all loose clothing and confine long hair.

Before operating the machine, remove tie, rings, watches, other jewellery, and roll up sleeves above the elbows.

Wear safety shoes, never wear leisure shoes or sandals.

Always wear the approved working outfit.

Do **not** wear gloves.

Wear safety goggles/ face shields while using this lathe.

Install the machine so that there is sufficient space for safe operation and workpiece handling.

Keep work area well lighted.

The machine is designed to operate in closed rooms and must be placed stable on firm and levelled table surface.

Make sure that the power cord does not impede work and cause people to trip.

Keep the floor around the machine clean and free of scrap material, oil and grease.

Stay alert! Give your work undivided attention. Use common sense. Do not operate the machine when you are tired.

Keep an ergonomic body position. Maintain a balanced stance at all times.

Do not operate the machine under the influence of drugs, alcohol or any medication. Be aware that medication can change your behaviour.

Never reach into the machine while it is operating or running down.

Never leave a running machine unattended. Before you leave the workplace switch off the machine.

Keep children and visitors a safe distance from the work area.

Do not operate the electric tool near inflammable liquids or gases. Observe the fire fighting and fire alert options, for example the fire extinguisher operation and place.

Do not use the machine in a damp environment and do not expose it to rain or direct sunlight.

Wood dust is explosive and can also represent a risk to health. Dust from some tropical woods in particular, and from hardwoods like beach and oak, is classified as a carcinogenic substance.

Always use a suitable dust collection/ air filtration device.

Before machining, remove any nails and other foreign bodies from the workpiece.

Make sure to guide and hold the chisel with both hands safe and tight during machining.

Work only with well sharpened tools.

Machine only stock which is chucked securely on the machine, always check before switching the machine on.

If reversing spindle rotation, make sure face plate, chuck or other work holding is secured with the set screws to the spindle. To avoid threading loose.

Provide workpieces with centre holes before clamping between centres.

Work large and unbalanced workpieces at low spindle speed only.

When sanding, remove the tool rest from the machine.

Use homogenous workpieces only.

Check the workpiece carefully for splits, knots or other obstructions which may cause a safety risk while turning.

Remove the chuck key or dowel pins before turning the machine on.

Always close the belt covers.

Specifications regarding the maximum or minimum size of the workpiece must be observed.

Select the appropriate speed for the turning job.

Test each set-up by revolving the work by hand to insure it clears the tool rest and bed. Check setup at the lowest speed before you increase to the operating speed.

Do not remove chips and workpiece parts until the machine is at a standstill.

Never stop workpieces with the hand during run out.

Do not attempt to engage the spindle lock pin until the spindle has stopped.

Never take measurements on a rotating workpiece.

Do not apply liquids to a spinning workpiece

Do not stand on the machine.

Connection and repair work on the electrical installation may be carried out by a qualified electrician only.

Have a damaged or worn power cord replaced immediately.

Make all machine adjustments or maintenance with the machine unplugged from the power source.

Make sure all levers and locking handles are tightened before operating the lathe.

### 3.3 Remaining hazards

When using the machine according to regulations some remaining hazards may still exist.

The rotating workpiece can cause injury.

Workpieces that are inhomogeneous or weak can explode when being processed due to centrifugal force.

Only process selected woods without defects.

Unbalanced workpieces can be hazardous.

Injuries can occur when feeding tooling, if tool supports are not correctly adjusted or if turning tools are blunt.

Risk of kickback. The tooling is caught by the rotating workpiece and thrown back to the operator.

Thrown workpieces and workpiece parts can lead to injury.

Dust and noise can be health hazards. Be sure to wear personal protection gear such as safety goggles and dust mask. Use a suitable dust collection system. Work in a well-ventilated area.

The use of incorrect mains supply or a damaged power cord can lead to injuries caused by electricity.

## 4. Machine specifications

### 4.1 Machine description

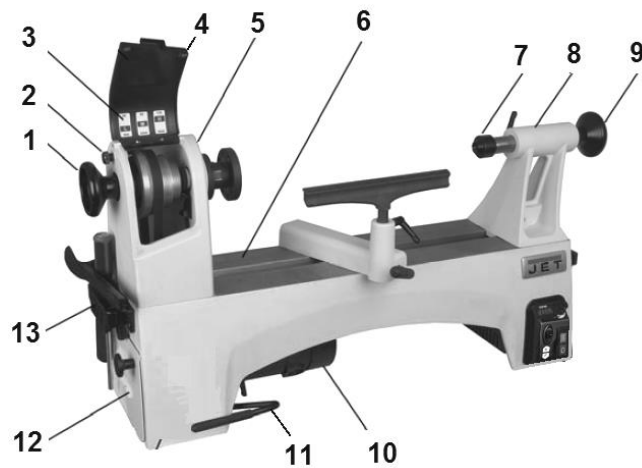


Fig 1

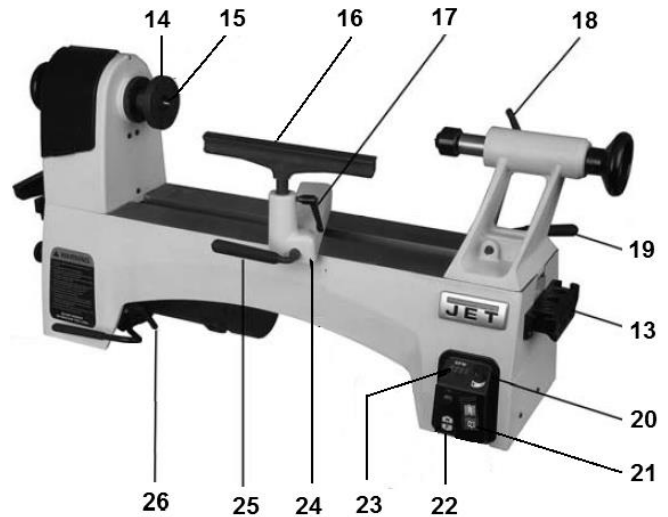


Fig 2

- 1 Spindle handwheel
- 2 Index pin
- 3..Speed chart
- 4..Upper pulley cover
- 5 Headstock
- 6 Bed
- 7..Live centre
- 8 Tailstock
- 9 Tailstock handwheel
- 10 DC motor
- 11..Belt tension lever
- 12 Lower pulley cover
- 13..Tool caddy / cord wrap
- 14 Face plate
- 15 Spur centre
- 16 Tool rest
- 17 Tool rest locking handle
- 18..Quill locking handle
- 19 Tailstock locking handle
- 20 Variable speed dial (potentiometer)
- 21 On/Off switch
- 22 Forward/ reverse switch
- 23 RPM digital readout
- 24 Tool rest base
- 25 Tool rest base locking handle
- 26 Belt tension release handle

### 4.2 Technical data

Swing over bed	318mm
Swing over tool rest base	240mm
Centre distance	500mm
Number of mechanical speeds	3
Spindle speed range L	60 - 900 rpm
Spindle speed range M	110 - 1800 rpm
Spindle speed range H	220 - 3600 rpm
Spindle nose	M33x3,5 DIN 800
Headstock spindle taper	MT 2
Spindle indexing	24x15°
Spindle hole diameter	9,5mm

Tailstock spindle taper	MT 2
Tailstock hole diameter	9,5mm
Tailstock ram travel	57mm
Centre above workbench	375mm
Overall (LxWxH)	853x280x450mm
Net weight	55 kg
Mains	1~230V, PE, 50Hz
Motor power	0,73kW (1 HP)
Reference current	3,2 A
Extension cord (H07RN-F):	3x1,5mm <sup>2</sup>
Installation fuse protection	10A
Isolation class	I

#### 4.3 Noise emission

Acoustic pressure level (EN ISO 11202):	
Idling	LpA 67,4 dB(A)
In operation	LpA 76,5 dB(A)

The specified values are emission levels and are not necessarily to be seen as safe operating levels. As workplace conditions vary, this information is intended to allow the user to make a better estimation of the hazards and risks involved only.

#### 4.4 Content of delivery

Live centre  
Spur centre  
tooling knockout bar  
Tool caddies / Cord wrap  
150 mm tool rest  
250 mm tool rest  
75 mm face plate  
Operating tools  
Operating manual  
Spare parts list.

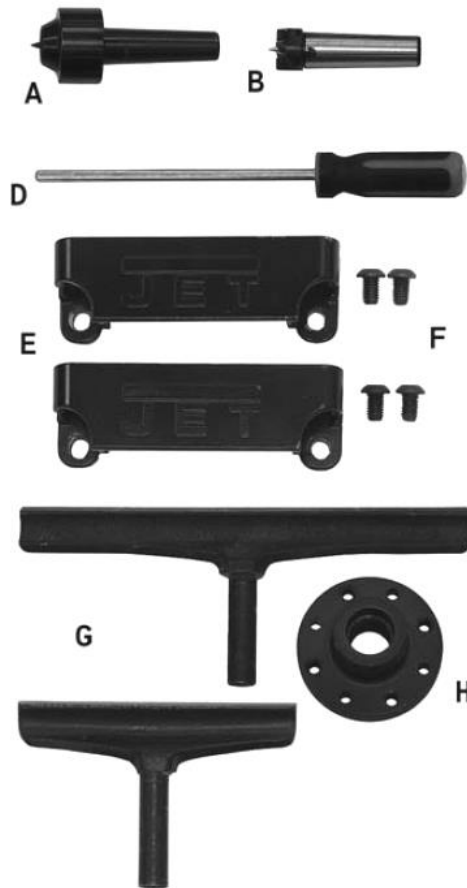


Fig 3

### 5. Transport and start up

#### 5.1 Transport and installation

The machine is designed to operate in closed rooms and must be placed stable on firm and levelled surface.

For safety reasons, the machine must be bolted to the work bench or to the optional stand.

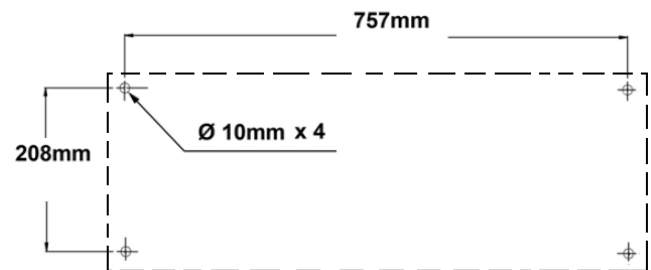


Fig 4

For packing reasons the machine is not completely assembled

#### 5.2 Assembly

If you notice transport damage while unpacking, notify your supplier immediately. Do not operate the machine!

Dispose of the packing in an environmentally friendly manner.

Clean all rust protected surfaces with a mild solvent.

#### Install the tool caddies:

mount a tool caddy on each end of the lathe with two pan head screws (Fig 5).



Fig 5

### 5.3 Mains connection

Mains connection and any extension cords used must comply with applicable regulations. The mains voltage must comply with the information on the machine licence plate.

The mains connection must have a 10A surge-proof fuse.

Only use power cords marked H07RN-F

Connections and repairs to the electrical equipment may only be carried out by qualified electricians.

### 5.4 Dust collection

Use a suitable dust collection and air filtration system to avoid high dust concentrations in the air.

### 5.5 Starting operation

You can start the machine with the green ON-button (B, Fig 6).

The lathe will begin turning and driving the headstock spindle. The lathe will reach full speed in about 3 seconds.

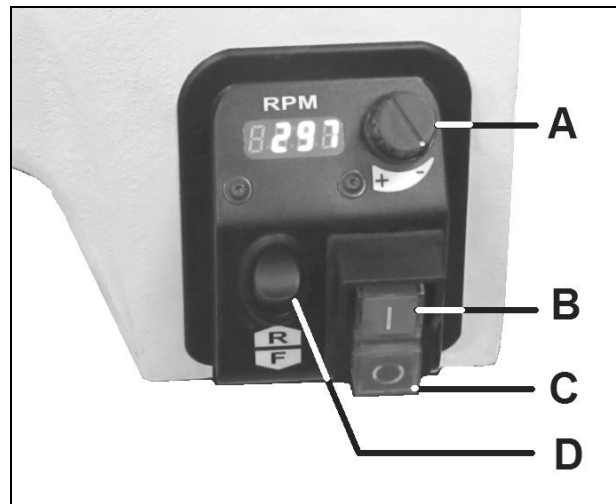


Fig 6

The machine will stop when you push the red OFF button (C). Wait for the workpiece to come to a complete stop.

The variable speeds of the lathe are controlled by the speed select knob (A) as well as the position of the belt on the pulleys.

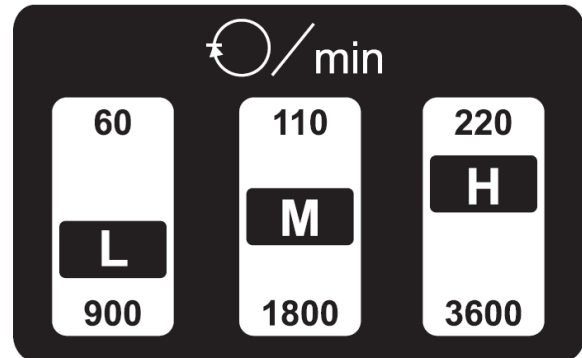


Fig 7

“Low” speed range (60~900 rpm) for maximum torque.

“Medium” speed range (110~1800 rpm) for general use

“High” speed range (220 ~ 3600 rpm) for maximum speed.

Use the Forward/ Reverse switch (D) to reverse the spindle direction.

Spindle direction can be changed without turning off the lathe.

The digital RPM Readout shows the spindle speed.

The digital readout may display an error code if a malfunction occurs. If an error code occurs, consult chapter 9, trouble shooting.

#### Caution:

For reversing spindle rotation, always make sure face plate, chuck or other work holding is secured with the set screws. To avoid threading loose.

Always set the speed control knob to its lowest setting before starting lathe. Never start a workpiece at maximum speed.

## 6. Machine operation

### 6.1 Correct operating position

Always support the tool on the tool rest and guide with the palm of your hand keeping your fingers closed. (see Fig 8)

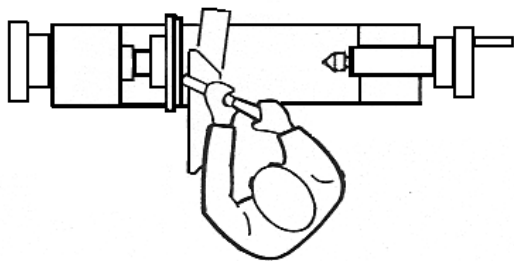
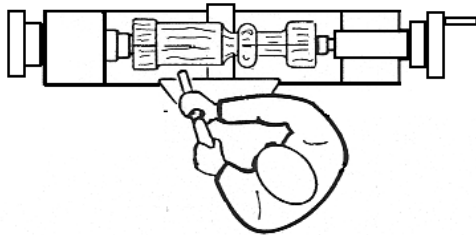


Fig 8

### 6.2 Tool selection

Successful wood turning does not result from high speeds, but rather, from the correct use of turning tools.

A perfect and sharp wood turner tool is a precondition for professional wood-turning.

#### Major tools:

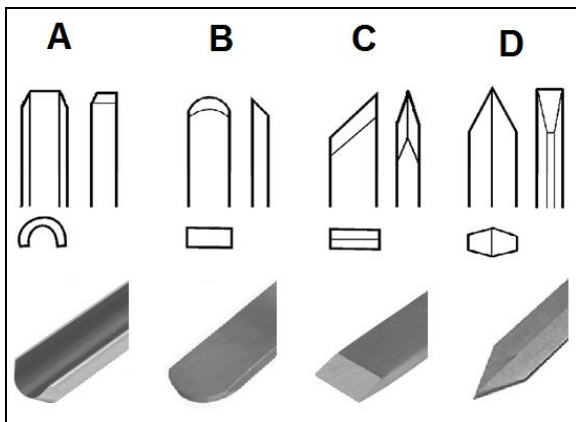


Fig 9

**Gouge (A, Fig 9)**, used for rapidly cut raw wood into round stock, for turning bowls and plates, for turning beds, coves and other detail (Fig 10).

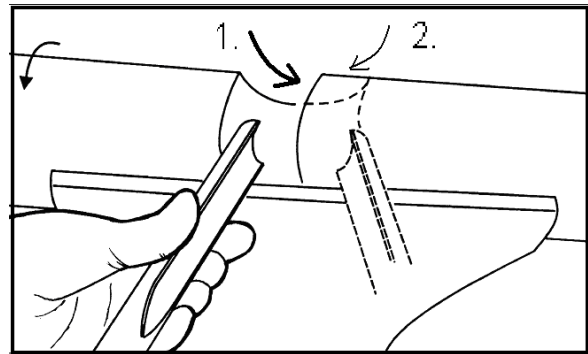


Fig 10

**Scraper (B, Fig 9)**, used for diameter scraping and to reduce ridges.

**Skew Chisel (C, Fig 9)**, used to make vees, beads, etc. (Fig 11). The bevel of skew is parallel to the cut.

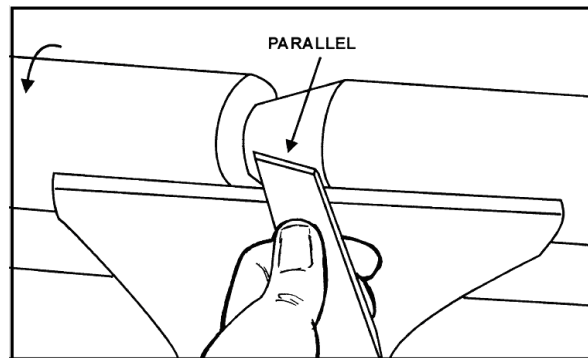


Fig 11

**Parting tool (D, Fig 9)**, used to cut directly into the material, or to make a cut off. Also used for scraping and to set diameters.

### 6.3 Speed selection:

Use low speeds for roughing and for large diameter work. If vibrations occur, stop the machine and correct the cause. See speed recommendations.

#### Speed recommendations

Workpiece Diameter mm	Roughing RPM	General Cutting RPM	Finishing RPM
< 50	1500	3200	3600
50-100	700	1600	2500
100-150	500	1100	1600
150-200	370	800	1200
200-250	300	650	1000
250-320	250	500	800

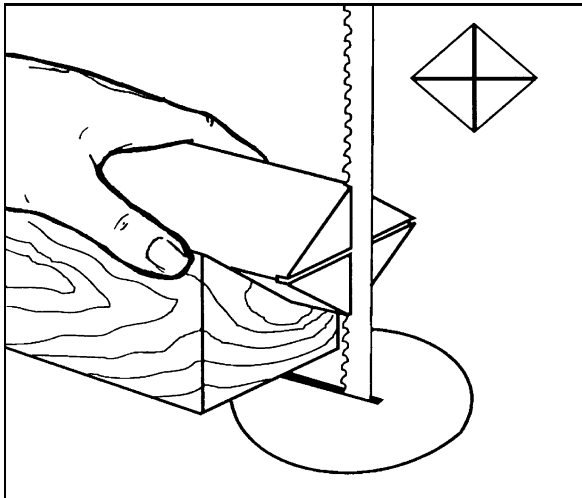
Fig 12

### 6.4 Turning between centres

With a ruler locate and mark the centre on each end. Put a dimple in each end of the shock. Extremely hard woods



may require kerfs cut into the spur drive end of stock (see Fig 13).



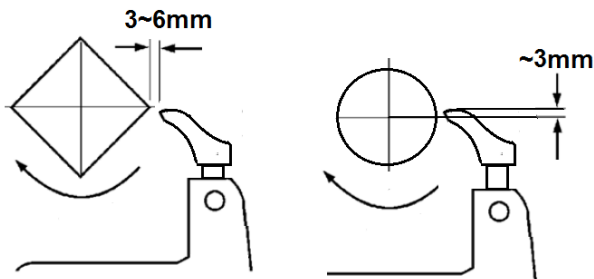
**Fig 13**

Mount the centred workpiece between the spur drive centre and the tailstock mounted live centre

Turn the tailstock hand wheel until the live centre well penetrates the workpiece. Reverse the hand wheel by one quarter turn and lock the tailstock spindle.

Turn the workpiece by hand to see if it rests securely between centres and can be rotated freely.

For turning between centres the tool rest is set approximately 3mm higher than centre line (Fig 14 and 15).



**Fig 14**

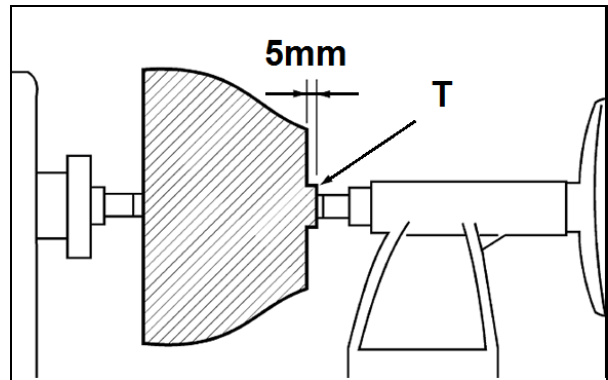


**Fig 15**

### 6.5 Bowl turning

Turn outside of bowl between centres.

Turn a short tenon the size of the hole in the faceplate (T, Fig 16). This will allow centring the workpiece.



**Fig 16**

Mount the workpiece (A, Fig 17) directly to the face plate using 4 wood screws (C) from the back. Be careful to use screws short enough not to interfere with the cutting process but long enough to hold the workpiece securely to the face plate.

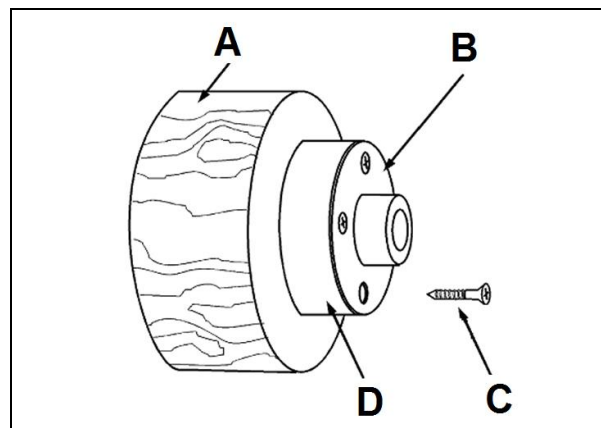
If screw mounting is not allowed at all, the work may be glued to a backing block (D) and the backing block screwed to the face plate. A piece of paper in the glue joint will prevent damaging the wood when separated later.

Mount the face plate with the workpiece already attached onto the spindle nose thread and hand tighten.

If reversing spindle rotation, make sure face plate, chuck or other work holding is secured with the set screws, to avoid threading loose.

Move tailstock away, remove centre from tailstock to prevent injury.

Turn the workpiece by hand to see if it rests securely and can be rotated freely.



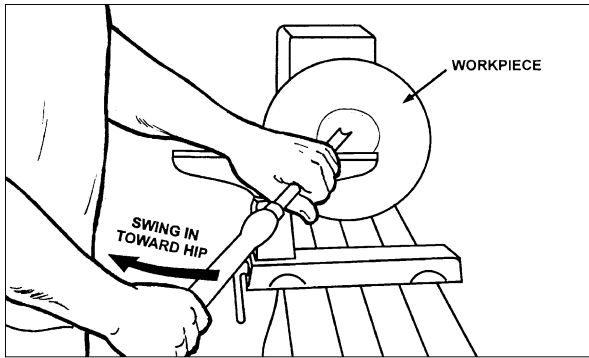
**Fig 17**

For face plate turning the tool rest is set slightly lower than centre line.

**Caution:**

Cut with your chisel on the left side of the turning centre only.

Use left hand to control cutting edge of gouge, while right hand swings tool handle around toward your body (Fig 18).



**Fig 18**

Try to make one, very light continuous movement from the rim to the bottom of the bowl to ensure a clean, sweeping curve through the workpiece.

Move tool support to the exterior to re-define bottom of bowl.

**6.6 Sanding and Finishing**

Remove the tool rest and begin with a fine grit sandpaper (120 grit) and progress through each grit, using only light pressure.

Use power sanding techniques to avoid concentric sanding marks.

Finish sanding with 220 grit.

Apply first coat of finish. Allow to dry before sanding again with 320 or 400 grit sandpaper.

Turn lathe back on and make a separation cut through the base. Stop at about dia. 80mm and use a fine tooth saw to separate the bowl from the waste.

Apply additional finish coats and allow to dry before buffing.

**7. Setup and adjustments**

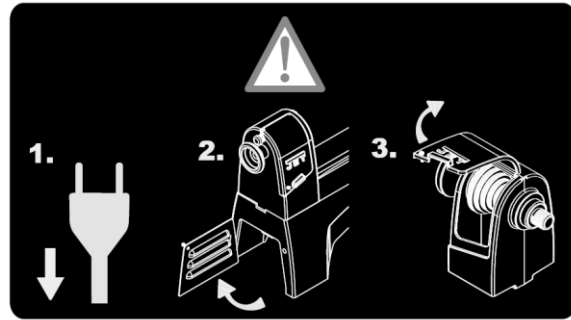
**General note:**

**Setup and adjustment work may only be carried out after the machine is protected against accidental starting by pulling the mains plug.**

**Make sure all levers and locking handles are tightened before operating the lathe.**

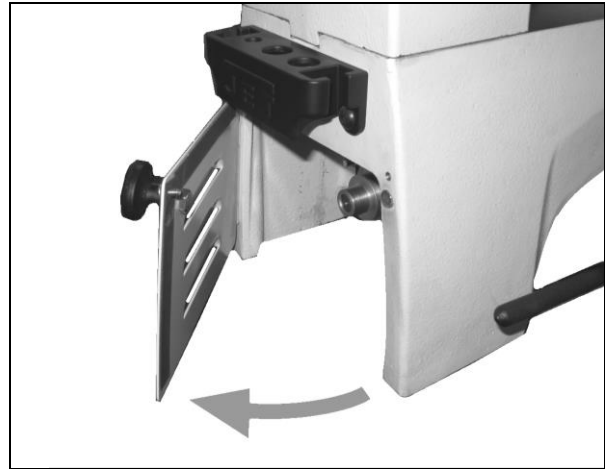
**7.1 Changing speed range**

**Disconnect the machine from the power source (unplug) !**



**Fig 19**

Loosen the locking screw and open the lower pulley cover.



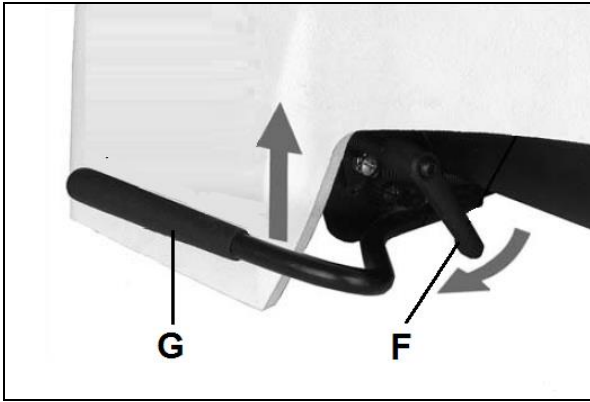
**Fig 20**

Loosen the locking screw and open the upper pulley cover.



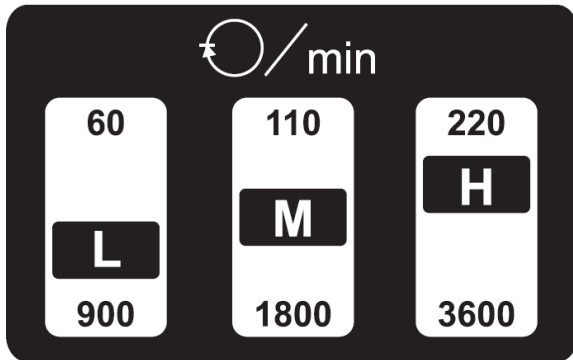
**Fig 21**

Take tension off the belt. Pull handle (F, Fig 22) and lift the lever (G).



**Fig 22**

You can now position the belt in the desired speed range.



**Fig 23**

“Low” speed range (60~900 rpm) for maximum torque.

“Medium” speed range (110~1800 rpm) for general use

“High” speed range (220 ~ 3600 rpm) for maximum speed.

Make sure belt is properly seated in both pulleys.

Push lever (G) down to tighten the belt.

Close and lock the pulley covers.

## 7.2 Installing work holding

Disconnect the machine from the power source (unplug).

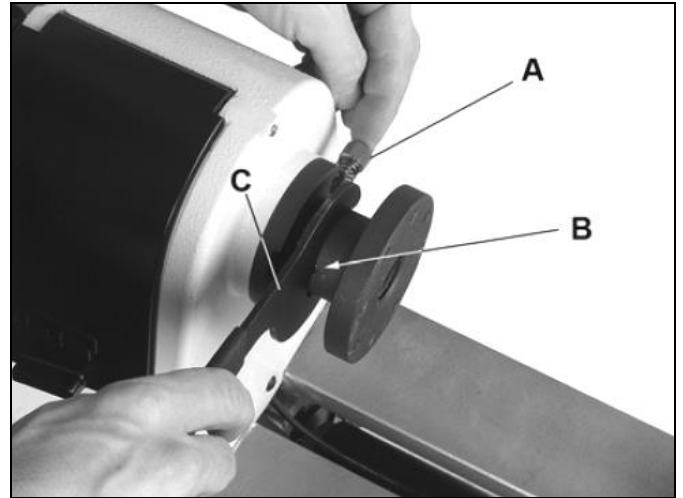
**The faceplate** is used for tuning bowls. There are a number of holes for mounting the workpiece.

Make sure the two sets screws (B, Fig 24) in the face plate have been backed out.

Push in spindle lock (A)

Thread the faceplate onto the spindle in a clockwise direction, and tighten.

Tighten the two set screws (B).



**Fig 24**

Remove the faceplate by loosening the two set screws (B). Push in the spindle lock and use the provided tool (C).

**Caution:** always cut with your chisel on the left half of the workpiece only.

Never press the spindle lock while the spindle is turning!

For reversing spindle rotation, always make sure face plate, chuck or other is secured with the set screws. To avoid threading loose.

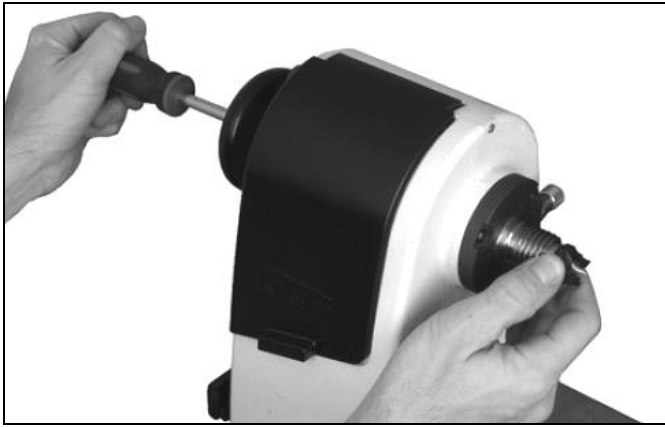
**The spur centre** is used to hold workpieces between centres.

Make sure the mating surfaces are clean.

Push the spur centre into the spindle.



**Fig 25**



**Fig 26**

To remove, use the knockout bar to tap out the spur centre. Hold spur centre to prevent it from falling (Fig 26).

**The live centre** is used to hold a workpiece between centres.

Make sure the mating surfaces are clean.

Push the live centre into the quill.



**Fig 27**

To remove, rotate handwheel counter-clockwise to retract quill, until centre releases from quill (Fig 27).

### 7.3 Adjusting tool rest

Position the tool rest (C, Fig 28) as close to the workpiece as possible. Tighten handle (A) to lock.

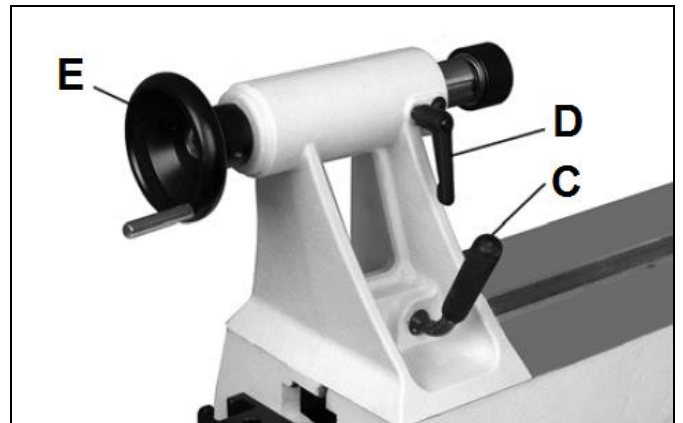


**Fig 28**

Set the height to approximately 3mm above centre. Tighten indexable knob (B).

### 7.4 Adjusting tailstock

Turn the hand wheel (E, Fig 29) clockwise to move tailstock quill forward. Lock quill with the indexable knob (D).



**Fig 29**

The handle (C) locks the tailstock in position on the bed.

The live centre can be ejected by turning the hand wheel counter-clockwise.

The live centre pin can be removed to allow deep hole drilling operations.

**Caution:** Do not position tailstock over the edge of bed. This will result in less clamping surface and increase risk of injury.

### 7.5 Spindle index

The index feature allows you to cut evenly spaced features in a workpiece while keeping the Lathe spindle locked.

The lathe provides 24 index positions.

These are identified by numbers on the spindle pulley (H, Fig 30).

Thread index pin (J) into the headstock. Make sure that it locates in one of the pulley holes (I).

Note: A 3mm hex key (K) can be used to help tighten/loosen the index pin.

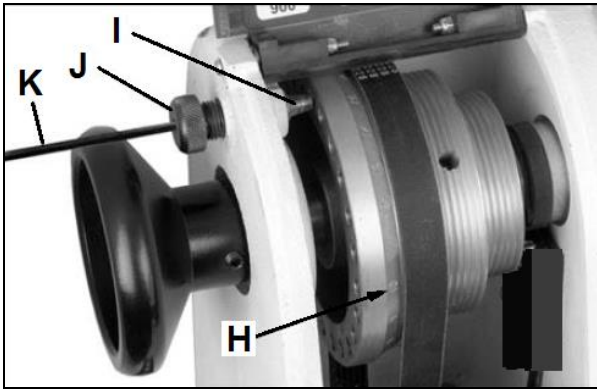


Fig 30

**Caution:**

Release index pin before turning on the lathe.  
Never press the index pin while the spindle is turning.

**8. Maintenance and inspection**

**General notes:**

**Maintenance, cleaning and repair work may only be carried out after the machine is protected against accidental starting by pulling the mains plug.**

Clean the machine regularly (wear eye and dust protection)

Inspect the proper function of the dust collection.

Protect headstock spindle, tailstock quill, tool rest post and machine bed from rust, by applying thin coat of oil or rust protectorant.

Defective safety devices must be replaced immediately.

Repair and maintenance work on the electrical system may only be carried out by a qualified electrician

**8.1 Adjusting bed clamping**

If adjustment is needed, slide the tailstock or toolrest to the edge of the bed and slightly turn the cam lock nut (B, Fig 28).

Test the clamping function and repeat if necessary.

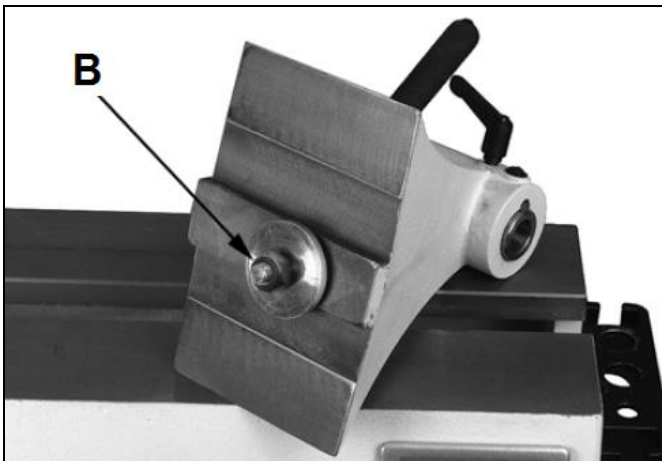


Fig 31

**8.2 Inspecting motor brushes**

**Disconnect the machine from the power source (unplug) !**

A heavily worn or damaged brush may eventually cause damage to the motor.

Periodically inspect the two carbon brushes, located at each side of the motor.

Unscrew the cap and withdraw brush.

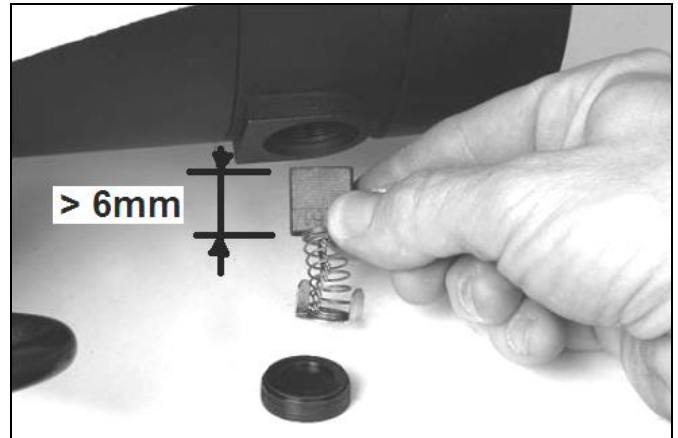


Fig 32

Replace both brushes if worn down to 6mm or if damaged.

(article no.: JWL1221VS-264.....motor carbon brush with cap, 2 pieces needed)

Reinstall brushes and caps.

**8.3 Changing belt**

**Disconnect the machine from the power source (unplug) !**

Open the pulley covers and remove the Poly-V belt from the lower pulley.

Loosen two set screws (A, Fig 33) and unscrew the hand wheel.

Note: Left hand thread, turn clockwise to remove.

Loosen two set screws (B) in spindle pulley and one (C) in spindle sensor collar.

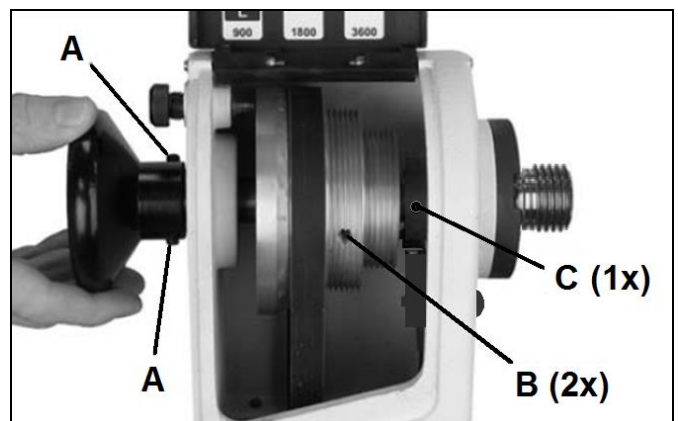
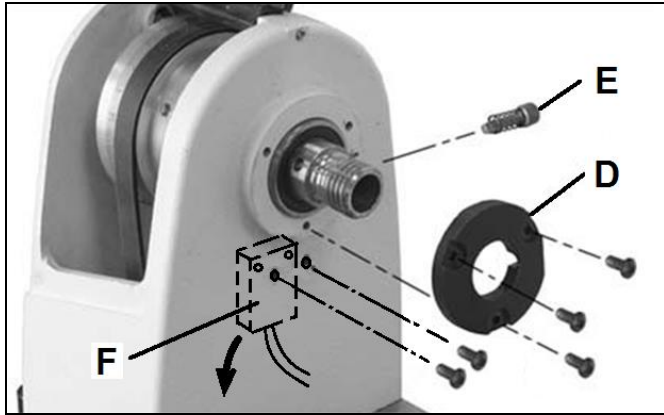


Fig 33

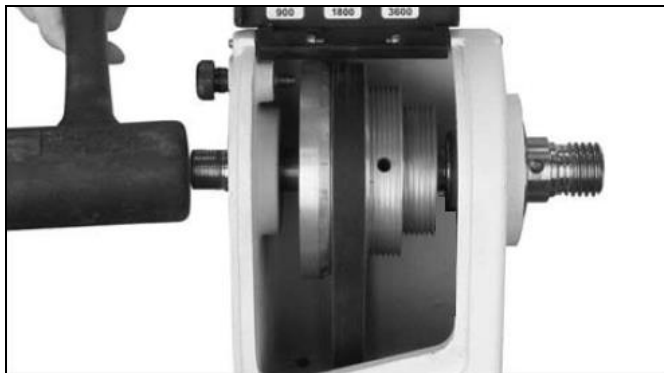
Remove bearing cover (D, Fig 34).  
 Note: Spindle lock (E) and spring will pop out.

Unscrew the spindle sensor (F) to avoid getting damaged.



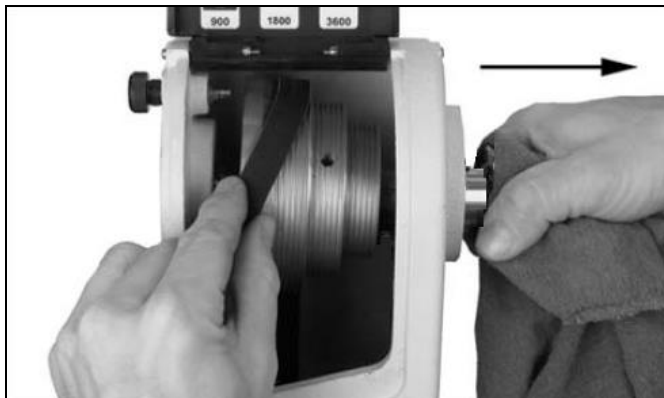
**Fig 34**

Use a rubber mallet, to tap the spindle towards tailstock.  
 (also can use a piece of hard wood, or brass to protect the spindle).



**Fig 35**

Go only far enough to remove the belt.



**Fig 36**

To reassemble reverse the procedure.

Note:  
 To avoid bearing overload, do not over tighten the handwheel.  
 Thread it on to the spindle until its snug, then back off slightly and tighten the grub screws.  
 Mont the sensor in proximity of 0,5~1mm to the sensing collar.

## 9. Trouble shooting

### Motor fails to develop full power

- \*Power line overloaded-  
Correct overload condition.
- \*Undersized wires in power supply system-  
Increase supply wire size.

### Motor or spindle stalls or doesn't start

- \*No electricity-  
check mains and fuse.
- \*Defective switch, circuit board, motor or cord-  
consult an electrician.
- \*Overload detected on drive unit-  
wait and restart machine; chose low speed range belt setting (60-900 rpm) for better torque.
- \*Excessive cut-  
Reduce depth of cut.
- \*Improper belt tension or worn belt-  
Adjust or replace belt as needed
- \*Motor brushes worn or damaged-  
Replace brushes

### Machine vibrates excessively

- \*Stands on uneven surface-  
adjust stand for even support.
- \*Workpiece is not properly centred
- \*The speed is too high
- \*Motor mounting fasteners are loose

### Tailstock moves when applying pressure

- \*Cam lock nut needs adjusting-  
Tighten cam lock nut (see chapter 8.1)
- \*Bed and tailstock surfaces are greasy-  
Clean surface and re-apply rust protection

### Cannot reach the specified max RPM

- \*Voltage too low (210V or under)-  
Request voltage check from power company.

### "E1" shown on digital readout

- \*Overheating in heat sink-  
Reduce depth of cut.

### "E3" shown on digital readout

- \*Voltage too high (250V or over)-  
Request voltage check from power company.

### "E4" shown on digital readout

- \*Overload limiter in circuit board activated-  
Reduce depth of cut.

### "E6" shown on digital readout

- \*Spindle sensor not working-  
Check connectors of sensor cord to switch box.  
Readjust sensor closer to sensor collar.  
Replace sensor collar (JWL-1221VS-110).  
Replace sensor set (JWL-1221VS-112).

**“E7” shown on digital readout**

\*Motor sensor not working-  
Check connectors of sensor cord to switch box.  
Readjust sensor closer to sensor collar.  
Replace sensor collar (JWL-1221VS-254).  
Replace sensor set (JWL-1221VS-258).

**“E8” shown on digital readout**

\*Motor cord unplugged-  
Check plug connection underneath the machine bed.  
\*Circuit board failure-  
Consult electrician to verify / replace circuit board.

**10. Environmental protection**

Protect the environment.

Your appliance contains valuable materials which can be recovered or recycled. Please leave it at a specialized institution.

**11. Available accessories**

**Stock number 719201**  
Bed Extension 560mm (Fig 37)

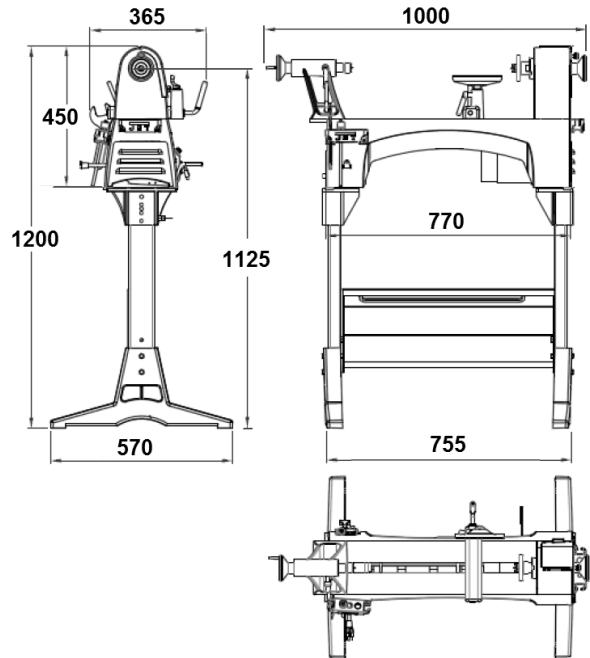


**Fig 37**

**Stock number 719202**  
Machine stand (Fig 38, Fig 39)



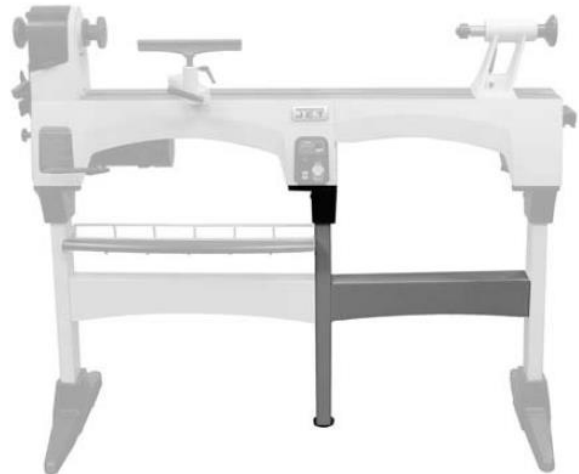
**Fig 38**



**Fig 39**

Overall dimensions, machine with stand

**Stock number 719203**  
Machine stand extension 560mm (Fig 40)



**Fig 40**

Refer to the JET-Pricelist  
for various tools and work holding.